

INSTALLATION INSTRUCTIONS FOR 3/4" THERMOSTATIC VALVE

PART# 34THERM

PHYLIRICH®

Defining Luxury Since 1959

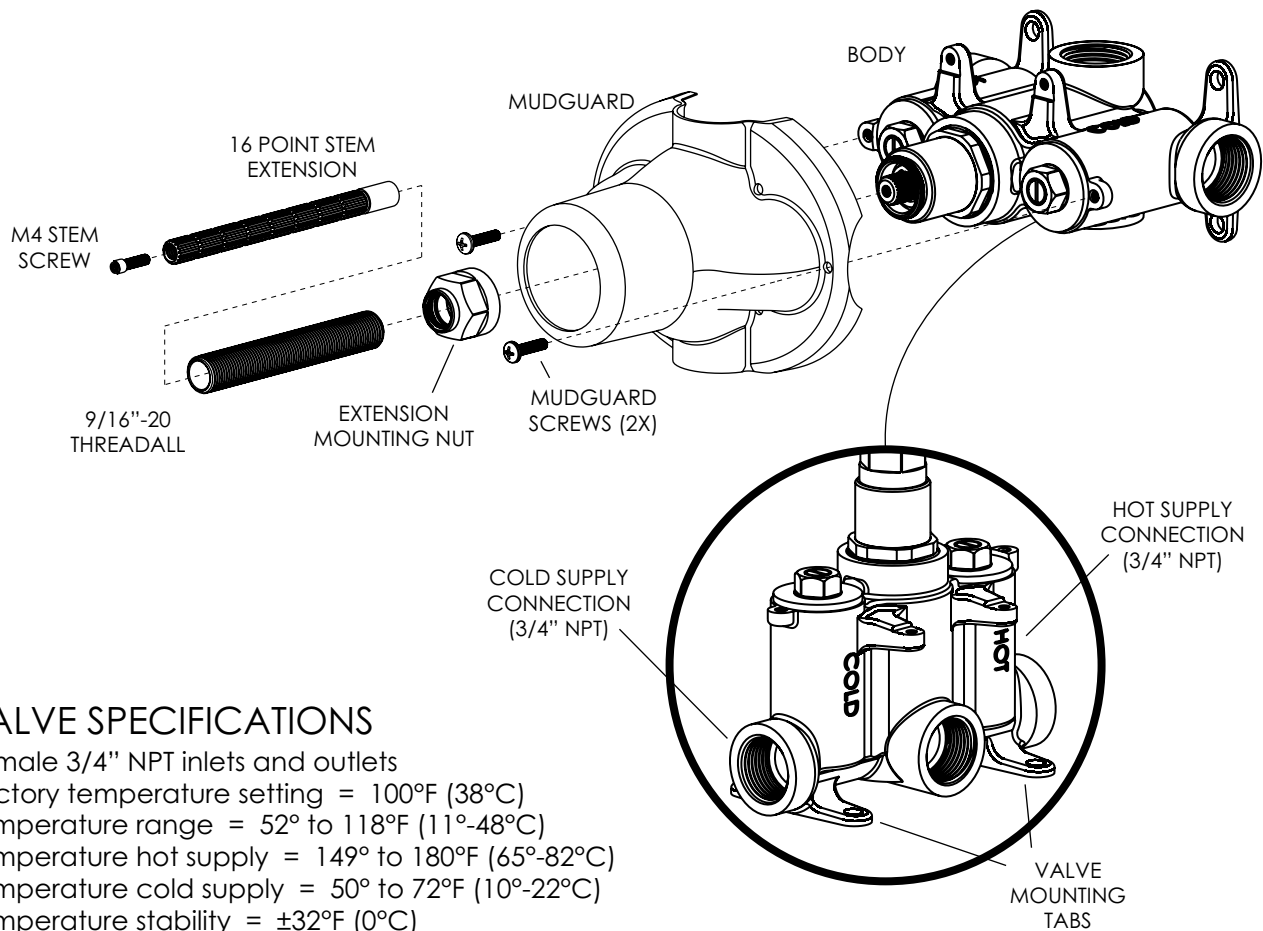
GENERAL CHARACTERISTICS

WE RECOMMEND THAT ALL PLUMBING PRODUCTS BE INSTALLED BY A LICENSED PROFESSIONAL

IMPORTANT: Thoroughly read instructions before installation.

Please note that the valve is embossed with "HOT" and "COLD" on the **top** and **bottom** of valve. The valve is designed with two outlets for ease of installation, but are not intended to be used concurrently with each other. Using both outlets will reduce the performance of the valve. Determine which outlet port will be used for the installation and plug the other outlet with a 3/4" NPT plug (not provided).

WARNING: IF THIS VALVE IS INSTALLED UPSIDE-DOWN A REVERSE CARTRIDGE IS NOT AVAILABLE. CONSEQUENTLY, VALVE MUST BE REMOVED AND REINSTALLED RIGHT-SIDE UP.



VALVE SPECIFICATIONS

Female 3/4" NPT inlets and outlets
Factory temperature setting = 100°F (38°C)
Temperature range = 52° to 118°F (11°-48°C)
Temperature hot supply = 149° to 180°F (65°-82°C)
Temperature cold supply = 50° to 72°F (10°-22°C)
Temperature stability = ±32°F (0°C)

Recommended supply pressure = 20 to 80 psi (1,38-5,52 bar)
Recommended hot water supply temperature = 120° to 140°F (48°-60°C)

Operating pressures between hot and cold supplies should vary no more than 30 psi (2,07 bar).
If water pressure exceeds 70 psi (4,83 bar), install a pressure reducing valve.

Ensure the mixing valve is in compliance with local plumbing codes when setting the temperature on the water heater.

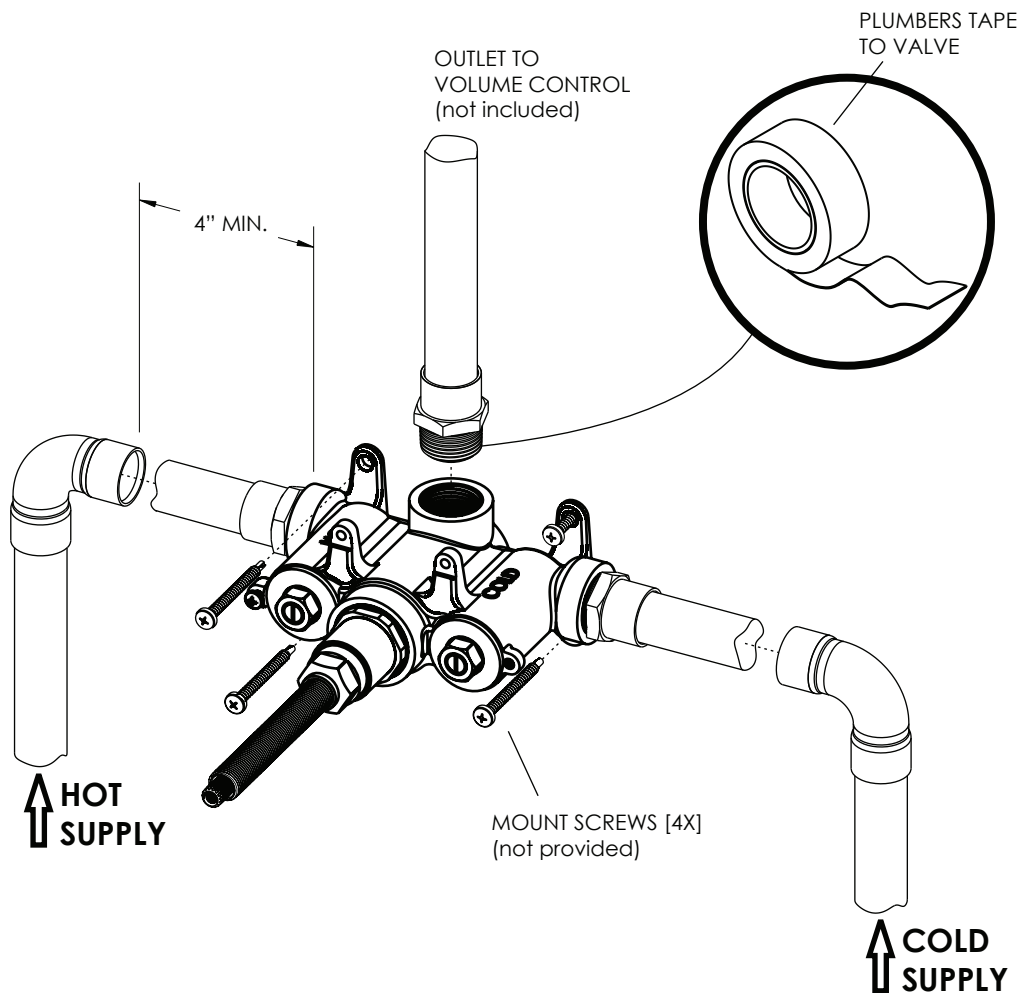
It is the installer's responsibility to verify correct temperature setting to prevent any risk of scalding prior to consumer use.

ROUGH IN VALVE TO FRAME

Once the desired location has been determined, install a cross support beam to wall studs.

Ensure to level the valve and secure to the cross support. The valve should be level horizontally, vertically, and parallel to finished wall.

Placement of valve and cross support within the wall shall be determined by the MIN/MAX limits shown on MUDGUARD. For complete detailed valve dimensions see ROUGH-IN DIMENSIONS.



WATER CONNECTIONS

Pre-assemble fittings before to attaching valve. Attach the "COLD" INLET to COLD SUPPLY and "HOT" INLET to HOT SUPPLY using copper supply lines and 3/4" NPT male adaptors.

IMPORTANT: Thoroughly flush supply lines to remove any debris prior to installation to prevent damage and malfunction of thermostatic cartridge.

ATTENTION: Use plumbers tape or thread sealant to all threaded port joints and attach to valve. All soldering/brazing of fittings shall be performed a minimum of 4" away from valve.

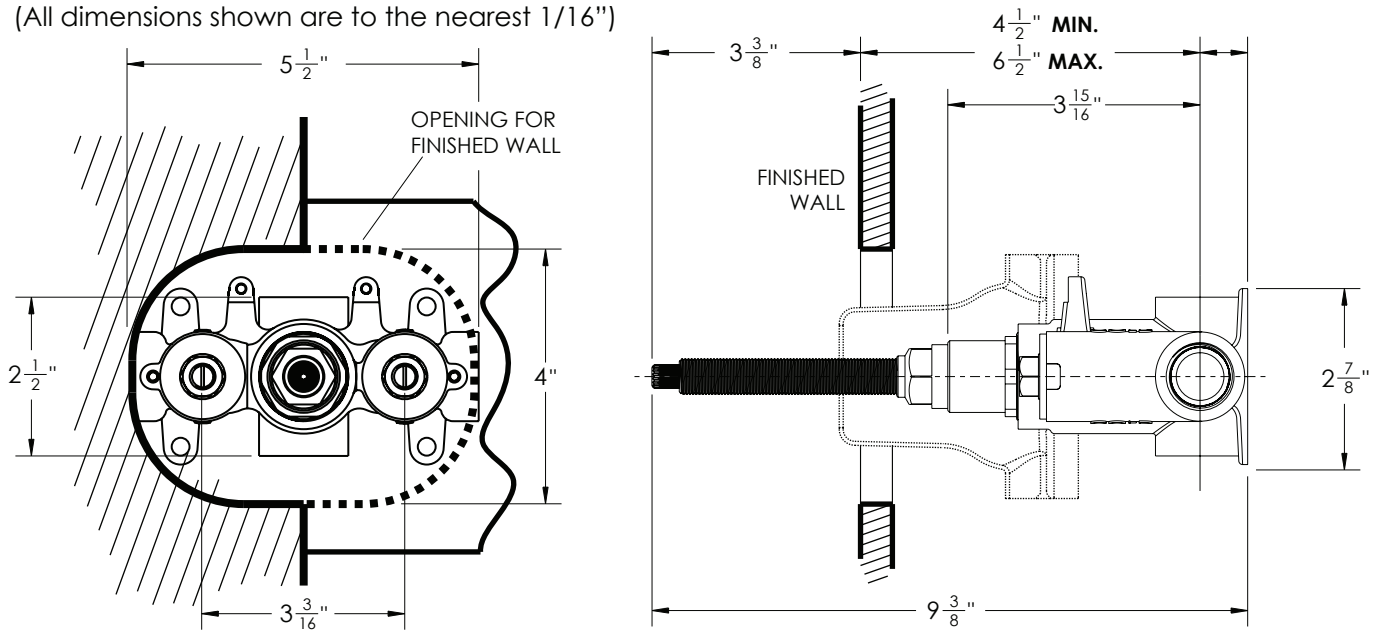
WARNING: DO NOT APPLY HEAT DIRECTLY TO THE VALVE AS THIS MAY DAMAGE RUBBER & PLASTIC SEALS AND WILL VOID WARRANTY.

Connect the outlet port to the volume control valves (purchased separately). Perform all other required connections to output device(s).

Turn on water supplies to valve and check for leaks.

ROUGH IN DIMENSIONS

(All dimensions shown are to the nearest 1/16")



MAINTENANCE

TERMOSTATIC CARTRIDGE

Carefully remove the trim and plate and place in a safe location for the time being.

Use a flat head screwdriver to shut off the water supply to the cartridge by turning the temporary shutoff screws clockwise until screw stops. Ensure to close both the hot and cold sides of the water supplies.

Remove extensions to gain access to the cartridge nut. Unscrew the cartridge nut using a 1-1/4" plumbers wrench or adjustable wrench, if possible.

Gently pull the cartridge out of the housing body (rotating cartridge while pulling may assist in removing).

Clean the cartridge by rinsing it under running water to remove any possible debris.

Wipe cartridge and housing seat clean and apply a thin film of NON-PETROLEUM GREASE to o-rings.

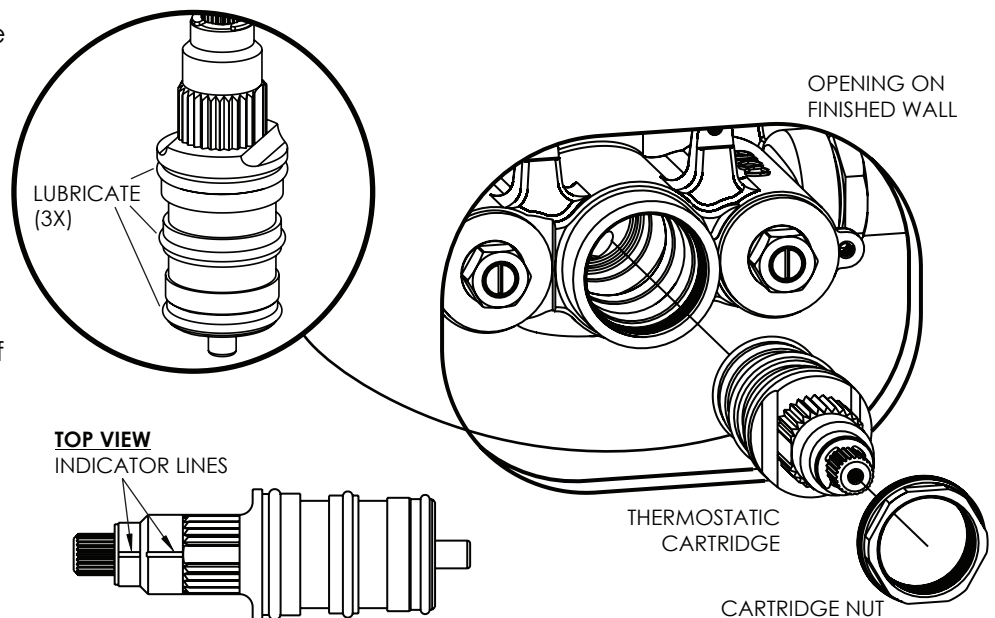
NOTE: Do NOT use oil based lubricants as this may cause the o-rings to dry out over time and crack.

Carefully install the cartridge back into the housing body and tighten nut to 10 ft-lbs (13,56 nm).

ATTENTION: Ensure the INDICATOR LINES on cartridge is orientated at 12'o clock.

Fully open temporary shutoff screws and check for leaks.

Check operation of flow. If improved, proceed to reinstall extensions, trim & plate; otherwise, CHECK VALVES.



MAINTENANCE (continued)

CHECK VALVES

Shut off water supply at main or upstream from valve body.

Remove check valve with a 5/8" (16mm) socket wrench from the body.

Clean check valve by rinsing it under running water to remove any possible debris.

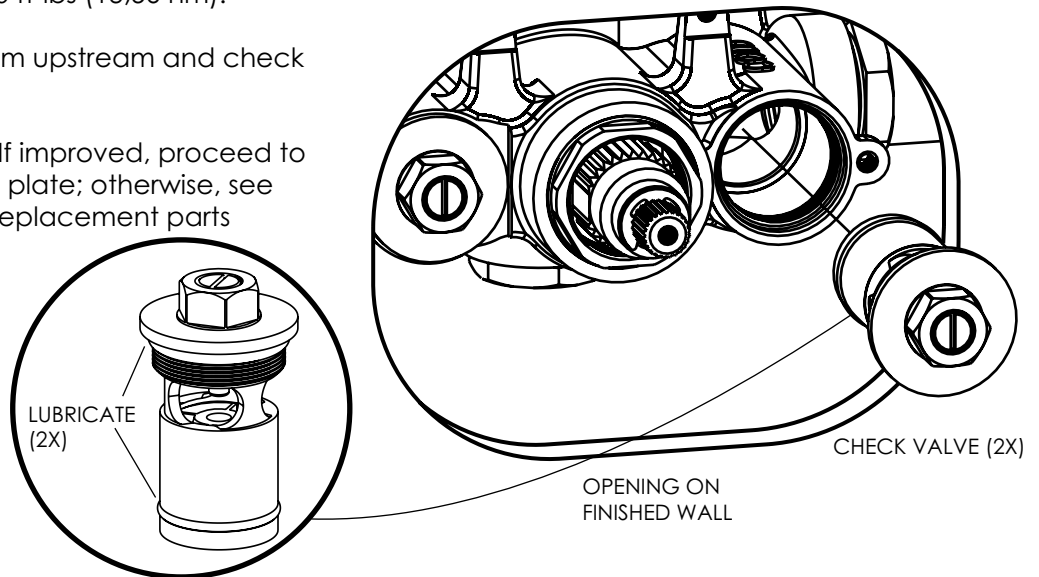
Wipe check valve and housing seat clean and apply a thin film of NON-PETROLEUM GREASE to o-rings.

NOTE: Do NOT use oil based lubricants as this may cause o-rings to dry out over time and crack.

Tighten check valves to 10 ft-lbs (13,56 nm).

Reinstate water supply from upstream and check for leaks.

Check operation of flow. If improved, proceed to reinstall extensions, trim, & plate; otherwise, see PARTS BREAKOUT for any replacement parts needed.



PARTS BREAKOUT

ITEM NO.	PART NO.	DESCRIPTION	QTY.
1	1-002	CHECK VALVE FOR SHUTOFF THERMO	2
2	10054	STEM EXTENSION, 20 TO 16PT BROACH	1
3	10058	NUT, CART. TO THREADALL	1
4	10209	NIPPLE, THREADALL 9/16"-20UN	1
5	10308	CARTRIDGE, CA43 THERMOSTATIC	1
6	10325	MAIN BODY, THERMOSTATIC VALVE	1

ITEM NO.	PART NO.	DESCRIPTION	QTY.
7	10326	CARTRIDGE NUT, THERM. 3/4"	1
8	10630	SLEEVE, THREAD ADAPTOR THERM. 3/4"	1
9	10887	MUDGUARD, VACUUM FORM	1
10	92009	SCREW, M4X0.7-16MM LENGTH SS	2
11	92157	SCREW, SMALL HD M4X0.7-1/2"L	1

